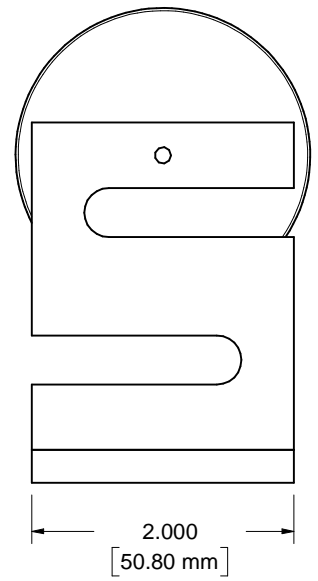
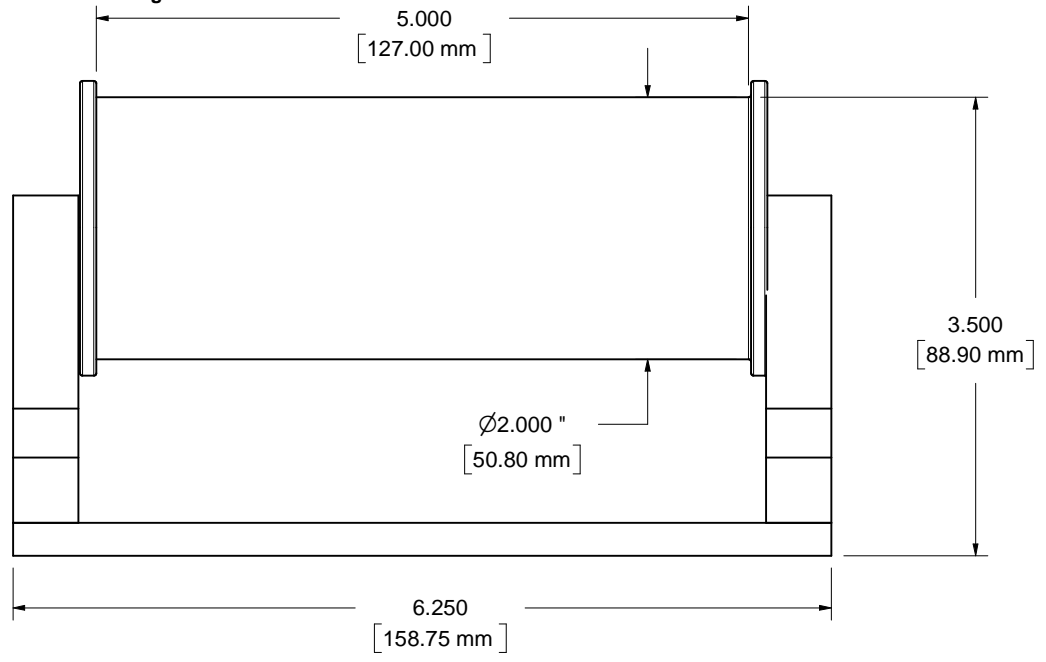
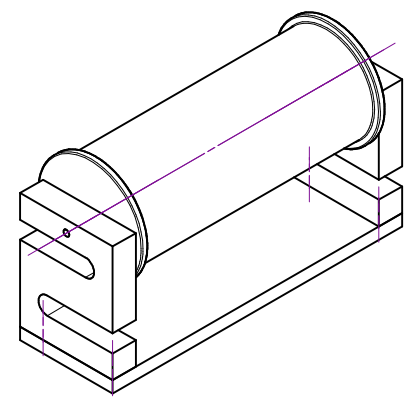


# Typical Transducer Specifications


- \*Tension Range: Supplied to Customer's requirements.
- \*Contact Elements: To fit application.
- \*Operating Temperature: 70' ± 25' F. (Special ranges available)
- \*Connecting Terminals: 5 pin Amphenol plug or terminated ends.
- \*Excitation Voltage: 4-10 VDC.
- \*Bridge Resistance: 350 ohms nominal.
- \*Output Signal: 1.0 - 2.0 mv/V nominal.
- \*Resistance to Ground: Exceeding 500 Megaohms.
- \*Zero Balance: Less than 1.5% FS
- \*Drift at Midpoint: 0.2%
- \*Noise Level: Less than 0.2%
- \*Linearity: 0.5%
- \*Combined Linearity & Hysteresis: ± .75%
- \*Total Error: 1% FS
- \*Overload Tension: 50% Overated
- \*Shielded Cable: 10' standard length.

Revisions			
SYM	Description	Date	Approval



## Application Note:

Roller configuration adjustable to meet specific applications. For optimum accuracy evenly guide material over pulley with a minimum wrap angle of 12'. For best accuracy keep wrap angle as consistent as possible.

Material ALUMINUM			Finish CLEAR ANODIZE			Heat Treat			
DIMENSIONAL TOLERANCES UNLESS OTHERWISE SPECIFIED			TITLE			Weight			
FRAC.	DEC.	ANG.	TYPICAL SINGLE ROLLER WEB TRANSDUCER			 733 South Bowen Street Longmont, CO 80501			
± 1/64	± .005	± 30'							
Scale 1:1.5	No. Req'd	Drawn SHS	Date 6-22-07	Size	Drawing Number				Issue
Next Assy		Checked	Date		4260				
		Approved	Date						