

**Operating Instructions
BTX-1 Series Digital
Band Tension Meter**

TABLE OF CONTENTS

1.	WARRANTY POLICY	3
2.	SPECIFICATIONS	4
3.	SAFETY AND MAINTENANCE	5
4.	INSTRUMENT FEATURES	6
•	Calibration and Accuracy	6
•	Add-On Options	6
○	- A Analog Output option	6
○	- E RS-232 Serial Output option	6
•	Features of all Instruments	6
5.	BASIC OPERATION	7
•	Charging Instrument Batteries	7
•	Quick Start Instructions	8
•	Engaging Instrument onto Band	9
6.	DISPLAY SCREENS	10
•	SETUP Screen	10
○	LCD Refresh Rate	10
○	Data Averaging	10
○	Custom Names	10
○	Re-Cal Tension: See description at the end of this booklet	11
○	Audio	11
○	Backlight	11
○	Set-Point Menu	11
○	Version	12
•	DATA LOGGING Screen	12
○	View Data Stats	12
○	View Data Log	12
○	Clear Single Point Log	12
•	TENSION UNITS Screen	12
•	SELECT MATERIAL Screen	12

7. ADVANCED OPERATION	12
• General Calibration Precautions	12
• Check Accuracy	13
• Calibrate Instrument	13

Proprietary Notice

This document contains proprietary information which may not be reproduced in whole or in part without the written permission of Tensitron, 733 South Bowen Street, Longmont, CO 80501.

Tensitron reserves the right to make instrument changes and improvements which may not be reflected in this document. Portions of this document may have been updated to include the latest hardware or firmware version, if applicable. We recommend that this document be read in its entirety before any attempt is made to operate the instrument.

Thank You . . .

For purchasing another fine product from Tensitron

If you have any questions or need assistance, please call us at 303-702-1980 or find us online at www.tensitron.com

1. WARRANTY POLICY

STANDARD EQUIPMENT WARRANTY

Tensitron warrants that all Tensitron-manufactured equipment will be free of any defect in materials or workmanship for the period of (1) year. Warranty begins from the date of shipment from a Tensitron facility. The warranty is extended to customers and applies to all Tensitron-manufactured equipment purchased, installed, and used for the purpose for which such equipment was originally designed. The above warranties cover only defects arising under normal use and do not include malfunctions or failures resulting from misuse, abuse, neglect, alteration, problems with electrical power, usage not in accordance with product instructions, acts of nature, or improper installation or repairs made by anyone other than Tensitron. Shipping costs to and from Tensitron are not included in the warranty coverage.

2. SPECIFICATIONS

Full Scale Accuracy

For the accuracy of each BTX-1 model, see Section 4.

Power Requirements

For Instrument Input: 9 VDC...2.2A
For AC Adapter: 100-240V~50-60Hz 0.48A

Power Supply operates with input voltages from 100 –240V and includes several interchangeable adapters allowing use with European, U.S., Australian, English and other plug configurations.

Battery

Battery: Rechargeable NiMH, custom proprietary design
Battery lasts approximately 8 hours between charges, depending on backlighting intensity.

Weight, Dimensions

BTX-1: Weight 3.1 lb. Dimensions 3.8" x 11.4" x 4.7" (See Figure 1)

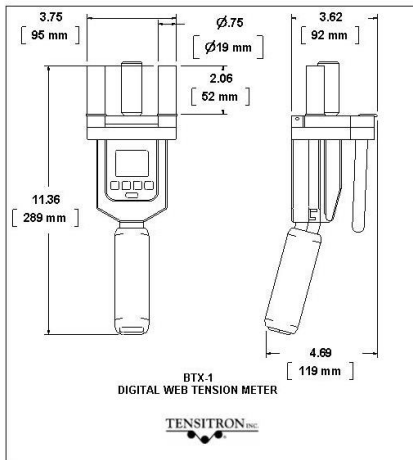


Figure 1: BTX-1 Dimensions

Environment

Indoor or outdoor use, dust-free environment.

3. SAFETY AND MAINTENANCE

WARNING: When using cordless, electronic instruments, always follow basic safety precautions to reduce the risk of fire, electric shock and personal injury



USE ONLY A TENSITRON POWER SUPPLY TO AVOID DAMAGE TO INSTRUMENT.



READ AND SAVE ALL INSTRUCTIONS. Before use, ensure all users read and understand this manual, as well as labels packaged with or attached to the instrument.

- Know your instrument. Read this manual carefully to learn your tension meter's applications and limitations, as well as potential hazards associated with this type of instrument.
- Avoid dangerous environments. Do not use your instrument in explosive atmospheres (gaseous fumes, dust or flammable materials). Do not submerge your instrument in liquids.
- Use the right tool or instrument. Do not use this instrument to do a job for which it is not recommended.
- Check for damaged parts. Inspect instrument before use. Check for any binding of moving parts, improper mountings, broken parts and any other condition that may affect operation. Do not use a damaged instrument. Tag damaged instrument "DO NOT USE" until repaired. For repair, send instruments directly to Tensitron.
- Guard against electric shock.
- Maintain instrument carefully. Keep handles dry, clean and free from oil and grease. Do not lubricate. All roller bearings are sealed.
- Do not use instrument if it has received a sharp blow, been dropped or damaged in any way. Do not disassemble. Incorrect reassembly may result in damage to the instrument and risk of electric shock and fire. Return damaged instruments to Tensitron for repair.
- **WARNING:** Only use battery pack assemblies provided by Tensitron with your meter. Other types of batteries might explode, causing personal injury and damage. Unplug charger when not in use.
- Tensitron recommends calibration by the manufacturer at one-year intervals, or sooner if the meter is worn, damaged, or reading incorrectly. However, it is the user's responsibility to establish a suitable calibration interval, considering the user's accuracy requirements, requirements set by contract or regulation, and environmental factors such as frequency and conditions of the meter's use.

4. INSTRUMENT FEATURES

• Calibration and Accuracy

BTX-1 instruments are calibrated to customer-supplied materials to ensure the greatest possible accuracy for each application. When ordering, please provide Tensitron with a sample (approximately 10-foot-long) of each material you'd like included in the menu.

Accuracy is material-specific. Typical accuracy for BTX-1 instruments is summarized in the table below, but actual accuracy may differ, depending on the properties of the material used in the calibration:

<u>Model</u>	<u>Range (lb)</u>	<u>Resolution (lb)</u>	<u>Full-Scale Accuracy</u>
BTX-50-1	5-50	0.5	2%
BTX-100-1	5-100	0.5	2%
BTX-250-1	5-250	0.5	2%
BTX-500-1	25-500	1.0	2%

• Add-On Options

NOTE: Instruments can be configured with either analog output or serial output, but NOT both.

- **- A Analog Output option**

Data output at 40 Hz.

0-5 VDC or 4-20 mA with Software-definable ending sequences.

Provided with 10' band to interface with your receiving device.

- **- E RS-232 Serial Output option**

Select data sampling rate from 1, 2 or 5 Hz.

Provided with 10' band to interface with your receiving device.

- **- R Custom Roller option**

BTX-1 meters come standard with 2"-long Delrin rollers. Rollers are also available in 3" length, or in stainless steel or aluminum.

• Features of all Instruments

- Color graphic display:
 - Large and easy to read, with adjustable backlighting.
 - Shows Tension, Battery Charge Level, and Band Material and Size Selected.
 - Includes user-definable tension set points.
- Data Statistics: Monitor your process by viewing count, average, minimum/maximum, and standard deviation values of your logged data.
- Selectable Tension Units: Choose to display tension in Lb, Kg or daN.

- Up to ten calibrations can be programmed into the instrument. (Password-protected to provide due diligence against unauthorized changes.)
- Adjustable LCD refresh rates allow for stable digital readings.
- Automatic shutoff after several minutes of non-use.
- All models are typically available from stock.
- All models are factory calibrated and ready for use.
- All calibration values are traceable to National Standards.
- Calibration certificate is included.
- Continuous operation while connected to power supply.
- Durable, lightweight carrying case with protective foam inserts included. (See Figure 2)



Figure 2: Carrying case with instrument, calibration certificate, charger, adapters, and operating instructions.

5. BASIC OPERATION

• Charging Instrument Batteries

1. ⚠ Use only a Tensitron power supply to avoid damage to instrument.
2. Connect power supply to the instrument. Plug the power supply into a power source with input voltages between 100 – 240 VAC.
3. A full charge of the battery assembly requires several hours of charging.
4. Battery pack assembly cannot be overcharged.
5. Instrument will remain on while connected to its power supply.
6. Battery charge level is indicated in upper, right-hand corner of display.

• Quick Start Instructions

1. Power unit on by pressing ON button. Main display will indicate: Tension, Material, Min and Max readings and other information. (See Figure 3.)

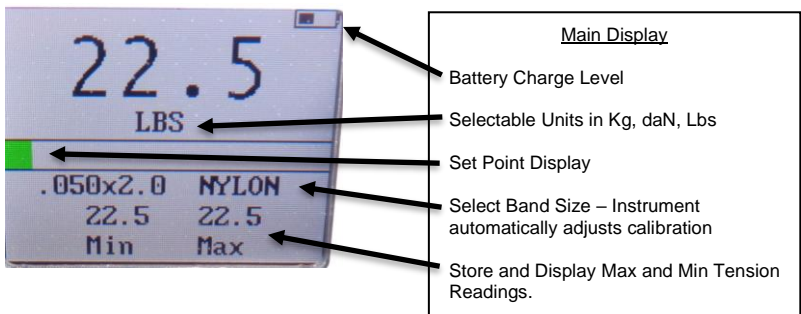
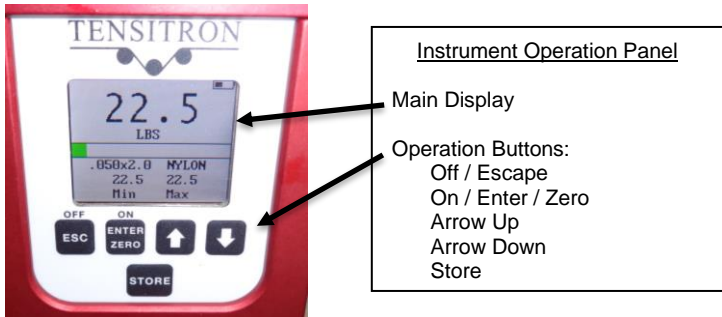
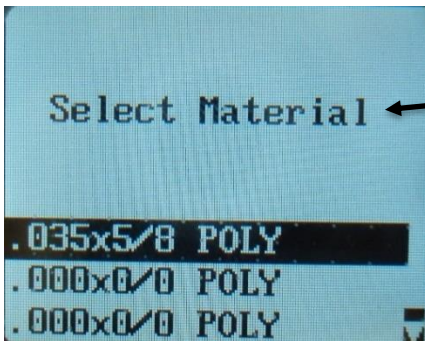


Figure 3: Instrument Operation Panel and Display

2. Select a screen:
 - a. Move between screens by using the up (↑) and down (↓) buttons.
 - b. Make or enter a selection by pressing the Enter/Zero button.
 - c. Exit a setting by pressing the Escape (ESC) button.
3. Log Data:
 - a. Press the STORE button to store tension readings along with the Minimum and Maximum of these values.
 - b. Clear the data displayed on the Main Screen by pressing and holding the STORE button, or power the instrument off.
 - c. For additional information on logging and viewing data, refer to Sec 6 Display Screens - Data Logging.
4. Read Tension: Variations in band (material, thickness and width) affect tension readings. It is essential to select the correct material and size before use, or tension values may be incorrect.

5. Select Tension Units:
 - a. Using the up or down arrows, scroll to TENSION UNITS, then press ENTER.
 - b. Next, select from: Kilograms, DecaNewtons, or Pounds, and then press ENTER.
6. Select Material:
 - a. Using the up or down arrows, scroll to SELECT MATERIAL, then press ENTER.
 - b. Next scroll through the band descriptions until the correct band size/material is highlighted, then press ENTER. Your main display will indicate the band size selected. (See Figure 4)
 - c. If your specific material is not listed, add it to the menu by following the calibration instructions included at the end of these instructions. Or, send a 10' sample of your material/band and the instrument to Tensitron and ask to have it added to the menu.



Select band size – Instrument automatically adjusts calibration

Figure 4:
Select Material Screen

Zero

Instrument: Hold the instrument in the attitude your reading will be taken before you engage it to the tensioned band. Then, press ZERO.

• Engaging Instrument onto Band

- To engage the instrument onto the tensioned band, start with the meter's lever released, so the center sensor roller is lowered.
- Position the meter so the band passes under the two outer guide rollers and over the center sensor roller. **Do not exceed the maximum tension range of the instrument or damage will occur.** (See Figure 5)
- Squeeze the lever gently shut until the rollers close onto the material.
Note: If it takes a lot of force to close the lever, STOP! Closing the lever with excessive force will damage the instrument.
- Note the tension reading on the display. (See Figure 5)



Note the routing of the band (under the outer guide rollers and over the center sensor roller) and the tension reading on the display.

Figure 5: Instrument engaged onto band.

6. DISPLAY SCREENS

• **SETUP Screen**

○ **LCD Refresh Rate**

To either speed up or slow down the instrument's LCD refresh rates:

- Scroll to SETUP and press ENTER.
- Scroll to LCD REFRESH RATE and press ENTER.
- Select your preference: 1, 2 or 5 Hz and press ENTER.

Note: This feature is unrelated to Data Averaging

○ **Data Averaging**

Use the Data Averaging feature to adjust the stability of your displayed tension readings in processes where the material to be checked is constantly moving. This feature averages all of the readings taken over a user-selected duration, then posts that average to the display, in an ongoing, rolling average. The duration can be set at 1, 2, 5 and 10 seconds.

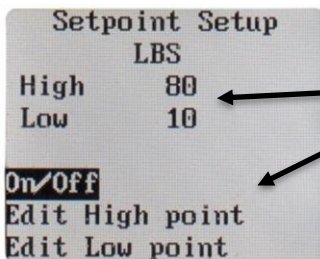
Examples: The meter takes ~300 readings per second, so if a 1-second duration is selected, the meter will average all 300 readings before posting the average of those readings to the display. Likewise, if a 10-second duration is selected, the meter will average all 3000 readings before posting the average of those 3000 readings to the display.

○ **Custom Names**

Custom calibrations, listed as Custom 0 – 9, can be renamed so your material appears as a selection on the Main Display. To rename a Custom Calibration:

- Scroll to SETUP and press ENTER.
- Scroll to CUSTOM NAMES and press ENTER.

- Scroll to the description to rename and press ENTER.
 - Input your custom name by using the up and down arrows to select each number, letter, or character, followed each time by ENTER.
 - Continue pressing ENTER until all spaces in the description have values, including blank spaces.
 - Once your new name has been entered you will automatically be returned to the SETUP screen.
- **Re-Cal Tension: See description at the end of this booklet.**
ONLY PERFORM THIS IF YOU ARE A QUALIFIED CALIBRATION HOUSE USING NIST-CERTIFIED CALIBRATION WEIGHTS. NOT USED FOR CHECKING ACCURACY. TO CHECK ACCURACY, REFER TO SEC. 7: CHECK ACCURACY.
- **Audio**
 To turn the Beep ON or OFF:
 - Scroll to SETUP and press ENTER.
 - Scroll to AUDIO and press ENTER.
 - Select ON or OFF and press ENTER.
- **Backlight**
 To adjust the visual intensity of the LCD screen.
 - Scroll to SETUP and press ENTER.
 - Scroll to BACKLIGHT and press ENTER
 - Select Low, Medium or Full intensity and press ENTER.
- **Set-Point Menu**
 This feature displays tension as a colored bar on the main display. The colored bar advances as tension increases, and retracts as tension decreases. You can define a safe operating tension range. For tension measurements within this range, the bar is green. Below the range, the bar is amber. Above the range, the bar is red.
- To adjust the Set Point Menu:
- Scroll to SETUP and press ENTER.
 - Scroll to SETPOINT MENU and press ENTER.
 - Follow and enter the prompts to turn this feature on or off, or to edit your high and low values. (See Figure 6)



Set Point Setup Screen
 See High and Low threshold values
 Settings:
 On / Off
 Edit High Point Threshold
 Edit High Point Threshold

Figure 6: Setpoint Setup

- **Version**

Press this button to determine what Model the instrument is set at in the firmware as well as to see what level of firmware is downloaded to the Instrument.

- **DATA LOGGING Screen**

Each time the instrument's STORE button is pressed, a log of that band tension will be stored into memory for later review.

- **View Data Stats**

This feature allows the operator to view the basis statistics of the logged data (Count, Average, Minimum/Maximum, and Standard Deviation).

- **View Data Log**

When data is logged to the instrument memory, that data and the statistics of that data log (Count, Average, Minimum/Maximum, and Standard Deviation) can be seen under the Data Logging / View Data Stats screen. To view this logged data:

- Scroll to DATA LOGGING and press ENTER.
- Scroll to VIEW DATA LOG and press ENTER.

- **Clear Single Point Log**

To clear stored data, scroll to CLEAR SINGLE PT LOG, press ENTER, and follow the prompts.

- **TENSION UNITS Screen**

To change the unit of measure in which tension readings are logged:

- Scroll to Tension Units and press ENTER.
- Use the Up and Down arrows to select Kilograms, DecaNewtons or Pounds and press ENTER.

- **SELECT MATERIAL Screen**

Press ENTER while this display is shown to show the available options for the material types. Use the up or down arrow to scroll to the option you want and press ENTER to select it.

7. ADVANCED OPERATION

- **General Calibration Precautions**

1. To verify the accuracy of your instrument, check the tension on a sample length of band by suspending known weights from the opposite end.
2. When performing this test, use a micrometer to measure your band thickness and ensure it is dimensionally within tolerance.
3. Only use free-hanging weights which are traceable to National Standards on correctly-sized bands. (See Figure 7.)
4. Never use any tensioning device that attempts to convert rotational torque values into tension loads, as these types of systems are highly inaccurate.

Also, any load cell system must be routinely checked for accuracy using traceable weights as these types of systems are also highly inaccurate and generally do not meet the minimum repeatable accuracy standards required by ISO-17025.

• **Check Accuracy**

1. Confirm that the size band you're working with is the same as the one selected in your BTX's display.
2. Before engaging the BTX-1 instrument onto the band, zero the instrument by holding it in the same attitude you'll be taking the readings and press the "Enter" or "Zero" button. This will eliminate any small tare effects.
3. Take readings along the band. **FOR BEST RESULTS ALWAYS TAKE SEVERAL READINGS OF THE BAND TENSION BY DISENGAGING AND THEN RE-ENGAGING THE INSTRUMENT FROM THE BAND ITSELF.**
4. Verify the tension value. For example, if your suspended weight is 40.0 lb. your instrument should also indicate 40.0 lb. +/- the full-scale accuracy percentage of the specific instrument model listed in Section 4, once properly engaged to the band. This procedure confirms the instrument's accuracy and it is now ready for use.

Note: Accuracy Specification: *NOTE, ACCURACY IS MODEL DEPENDENT.* For an instrument with a full-scale range of 250 lb., this translates into +/- 5 lb., and for an instrument with a full-scale range of 500 lb., accuracy is +/- 10.0 lb. (with a 2% Accuracy Specification).

If you have additional questions, please contact Tensitron for help.

• **Calibrate Instrument**

***IMPORTANT: THIS FEATURE SHOULD ONLY BE USED BY A CALIBRATION FACILITY USING CERTIFIED AND TRACEABLE DEAD WEIGHTS. DO NOT USE THIS FEATURE FOR A SIMPLE ACCURACY CHECK.**

If you want to verify or check the accuracy of a calibration go to: "Check Accuracy" in Section 7: Advanced Operation.

When calibrating these instruments tension values must be entered in Lbs. Note: If your dead weight standards are in Kilograms, convert their values into Lbs: 1 KG = 2.2046 Lbs



*Figure 7: Free hanging weight
simulating band tension.*

Follow these instructions to update the calibration for an existing band on the menu or to add a calibration for a new band. If you would like to add a new band, first create a name for it by following the instructions under “Custom Names” in Section 6, above.

1. Scroll to **SETUP** and press ENTER. Next, scroll to **RE-CAL TENSION** and press ENTER. The screen will now display: **SETUP, RE-CALIBRATE TENSION, ENTER PASSWORD, CAL DATA WILL BE LOST!**

2. **Enter Password.** Contact Tensitron at service@tensitron.com for the password.

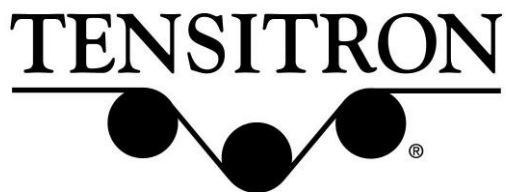
3. The display now indicates: **SETUP RE-CALIBRATE TENSION** with a list of the calibration names and custom names programmed into the instrument. Scroll to the description you wish to recalibrate, highlight it and then press **ENTER**.

4. The next screen will indicate: **CALIBRATE TENSION, NUMBER OF POINTS.** Using the up and down arrows select the number of calibration points to which you will be tensioning the band. The minimum is 5 points. Zero is a calibration point already set, so you will need to define a minimum of 4 increasing tension values such as: 50, 100, 150 and 200. If desired you can define more than 5 weight points, with a maximum of 10 points total. If 10 calibration points were selected the entries could look something like this: 10, 20, 30, 40, 50, 60, 70, 80, 90.

5. **ENTER WEIGHT.** After selecting the number of calibration points, you need to define these weight values. Using the up or down arrows select your first tension, or weight calibration point and press **ENTER**. *Do not use 0 (zero) as this value is already programmed into the instrument.* Next, use the up or down arrows to select your **weight 2** value, making sure the value entered is greater than the entry in **weight 1**. Next, select increasing weight values for the additional weight points, without exceeding the maximum tension range of the instrument.

6. **CALIBRATE TENSION.** Next you will calibrate the instrument using the weight values you previously selected. To properly simulate these tensions, suspend a single length of your band from above and suspend known weights onto the band in the values you've previously selected, when prompted. (See Figure 7.)

- a. **CALIBRATE TENSION, NUMBER OF POINTS __, ZERO UNIT.**
Without any band engaged to the instrument, hold it in the attitude you will be taking the reading in and press **ENTER** to calibrate zero weight. Next the display will prompt you to suspend the weight value you previously selected in step 5. If, for example you selected 50 lb. for your first weight value the instrument will indicate: **PLACE WEIGHT 50.**
- b. Suspend the exact weight value from your band that you've previously selected (In this example it would be 50 lb.)
- c. Next, engage the instrument to your tensioned band, then press **ENTER** once the reading has stabilized.
- d. Repeat steps b. and c. for the remaining weight points by suspending additional weights onto your band in the values previously selected and entering these readings.
- e. Once the last weight value is entered, the instrument will return to the **SETUP** menu. Press the **ESCAPE** button to return to the main display.
- f. The main display will now indicate the band/material description you just finished calibrating. If the material name on the display is not the material you just recalibrated, you have re-programmed the incorrect description. If this happens, you will need to recalibrate both the material indicated on the display along with the material you thought you were calibrating.
- g. After completing a calibration always recheck the values. Refer to "Check Accuracy" in Section 7.



733 S. Bowen Street
Longmont, CO 80501
USA

Phone: (303) 702-1980

Fax: (303) 702-1982

E-mail: sales@tensitron.com

Band Site: www.tensitron.com

