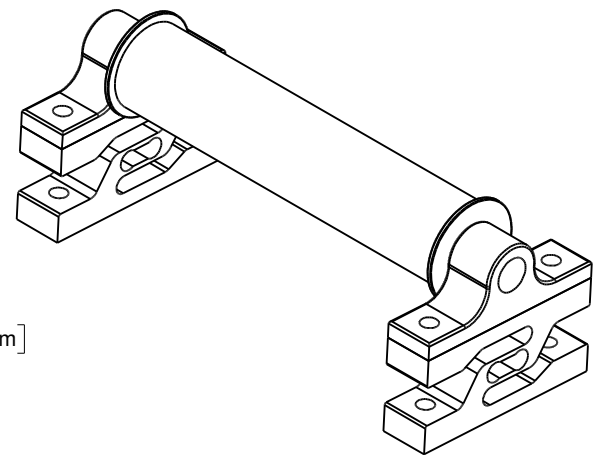
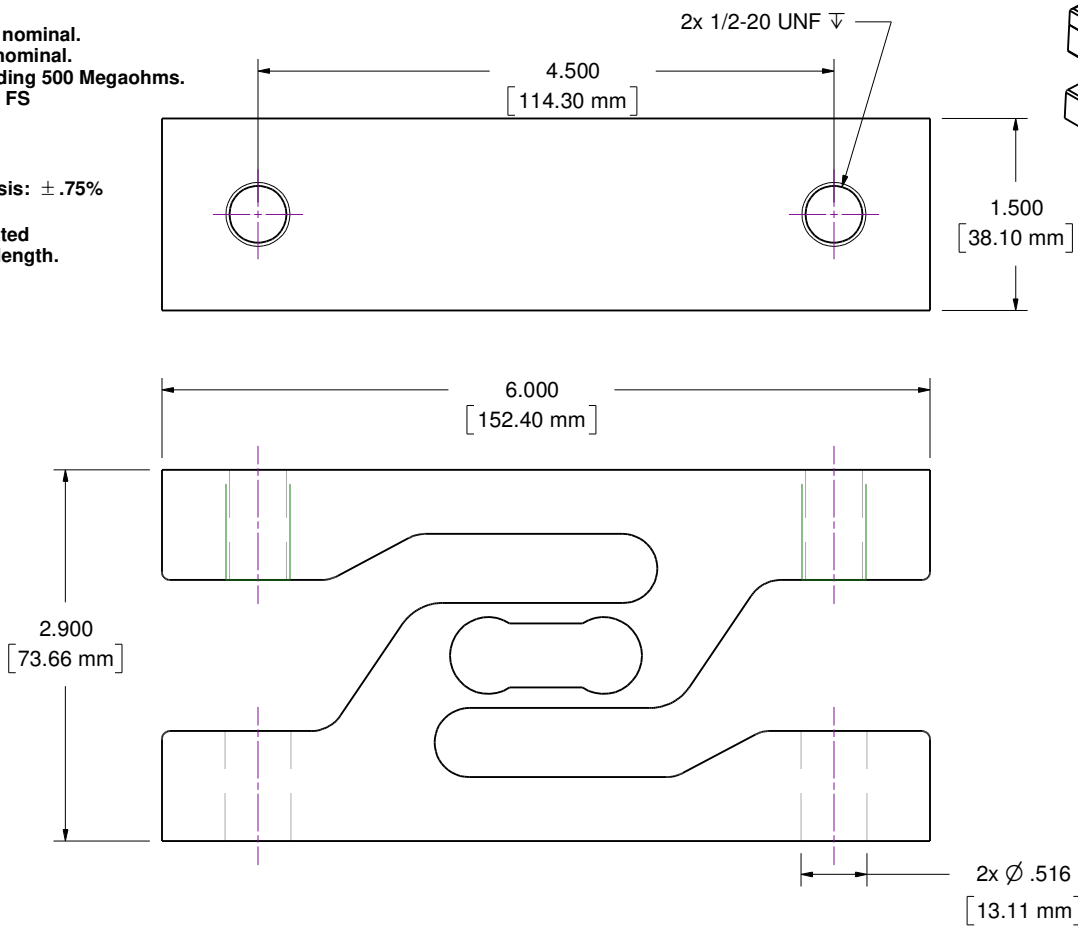


Typical Transducer Specifications


- *Tension Range: Supplied to Customer's requirements.
- *Contact Elements: To fit application.
- *Operating Temperature: 70 ± 25 F. (Special ranges available)
- *Connecting Terminals: 5 pin Amphenol plug or terminated ends.
- *Excitation Voltage: 4-10 VDC.
- *Bridge Resistance: 350 ohms nominal.
- *Output Signal: 1.0 - 2.0 mv/V nominal.
- *Resistance to Ground: Exceeding 500 Megaohms.
- *Zero Balance: Less than 1.5% FS
- *Drift at Midpoint: 0.2%
- *Noise Level: Less than 0.2%
- *Linearity: 0.5%
- *Combined Linearity & Hysteresis: ± .75%
- *Total Error: 1% FS
- *Overload Tension: 50% Overated
- *Shielded Cable: 10' standard length.



SCALE 1:5
 TYPICAL APPLICATION SHOWING
 2, LOAD CELLS ASSEMBLED WITH
 PILLOW BLOCKS AND 3"Ø ROLLER.
 MANY TIMES, CUSTOMER SUPPLIES
 PILLOW BLOCK AND ROLLER.

Application Note:

Roller configuration adjustable to meet specific applications. For optimum accuracy evenly guide material over pulley with a minimum wrap angle of 12°. For best accuracy keep wrap angle as consistent as possible.

| | | | | | |
|---|-----------|--------------------------------|--------------|---|--|
| Material ALUMINUM | | Finish CLEAR ANODIZE | | Heat Treat | |
| DIMENSIONAL TOLERANCES UNLESS OTHERWISE SPECIFIED | | TITLE | | Weight | |
| | | TYPICAL PILLOW BLOCK LOAD CELL | |  733 South Bowen Street Longmont, CO 80501 | |
| Scale 1:1.5 | No. Req'd | Drawn SHS | Date 6-22-07 | | |
| Next Assy | | Checked | Date | E-202 ASSY | |
| | | Approved | Date | | |