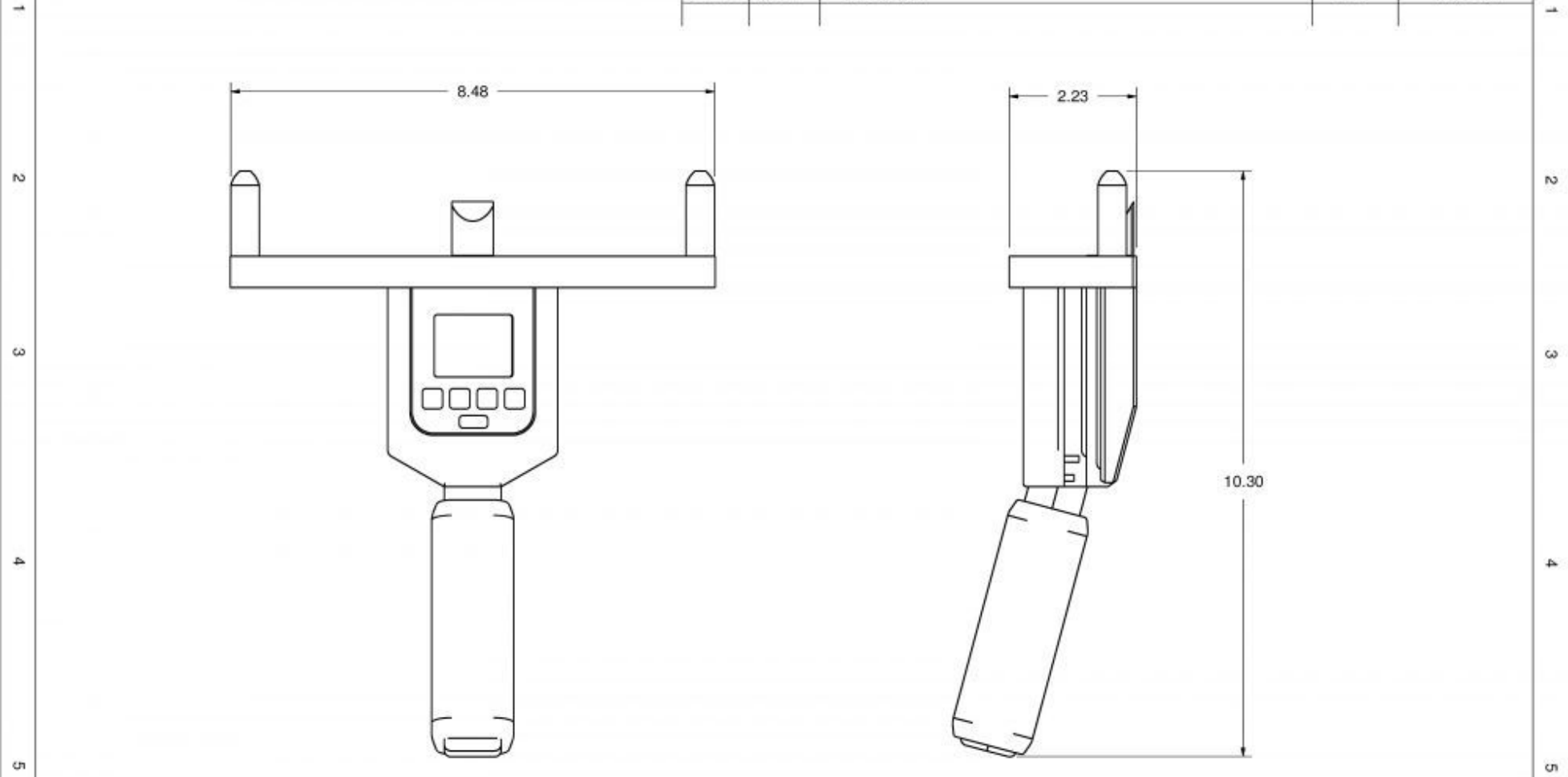



A B C D E F G

Revision History				
Zone	Rev.	Description	Date	Approval



Material				Finish		Heat Treat		
DIMENSIONAL TOLERANCES UNLESS OTHERWISE SPECIFIED .XXX .XX .XX ANGLE ± .0005 ± .005 ± .01 ± 1°				TITLE		TENSITRON  733 South Bowen Street Longmont, CO 80501		
Scale		No. Req'd 1		Drawn M. BROCKMAN	Date 6-5-14	Size	Drawing Number	REV
Next Assy				Checked	Date		STX-2000-1	1
				Approved	Date		DIMENSIONED DRAWING WITH BORDER	

A B C D E F G