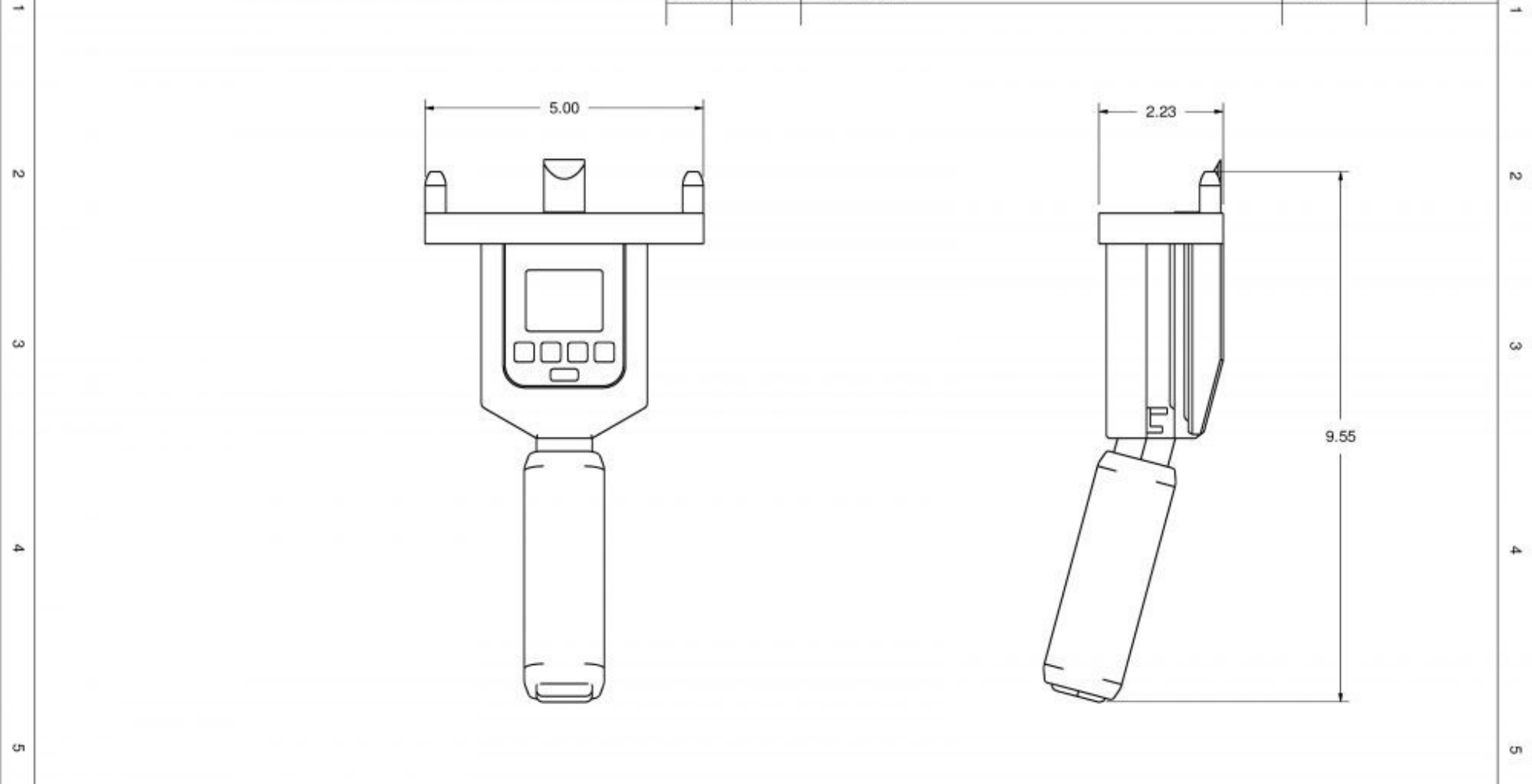


A B C D E F G

Revision History				
Zone	Rev.	Description	Date	Approval



Material				Finish		Heat Treat		
DIMENSIONAL TOLERANCES UNLESS OTHERWISE SPECIFIED .XXX .XX .XX ANGLE ±.0005 ±.005 ±.01 ±1°				TITLE STX-250-1 DIGITAL STRAP TENSION METER		Weight  733 South Bowen Street Longmont, CO 80501		
Scale		No. Req'd 1		Drawn M. BROCKMAN	Date 6-5-14	Size	Drawing Number	REV
Next Assy				Checked	Date	STX-250-1 DIMENSIONED DRAWING WITH BORDER		1
				Approved	Date			

A B C D E F G