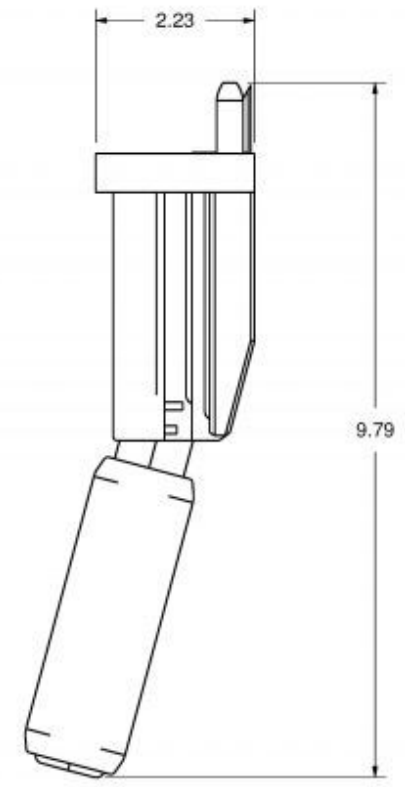
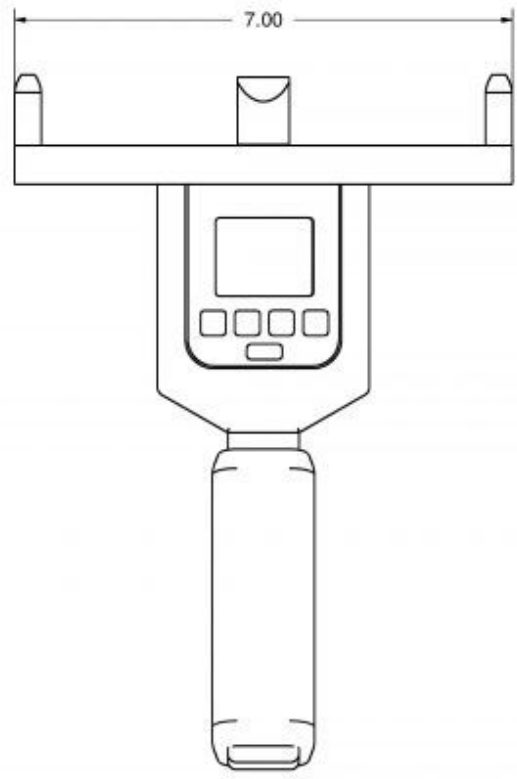



A B C D E F G

Revision History				
Zone	Rev.	Description	Date	Approval



Material			
Finish			
Heat Treat			
Weight			
DIMENSIONAL TOLERANCES UNLESS OTHERWISE SPECIFIED			
.XXX	.XXX	.XX	ANGLE
± .0005	± .005	± .01	± 1°
Scale	No. Req'd 1		
Next Assy			

TITLE	
STX-500-1 DIGITAL STRAP TENSION METER	
Drawn M. BROCKMAN	Date 6-5-14
Checked	Date
Approved	Date

 733 South Bowen Street Longmont, CO 80501		
Size	Drawing Number	REV
	STX-500-1 DIMENSIONED DRAWING WITH BORDER	1

A B C D E F G