

LX-1 SERIES DIGITAL TENSION METERS For medium-sized wire and cables



Reliable tension testing for
medium-sized wire and other
materials

- Improve production quality and process control
- Take the guesswork out of tension measurement



Dependable, Convenient Tension Measurement

- Custom-calibrated for your application
- Tension ranges from 0.5 lb. to 500 lb.
- Selectable units (lb., kg, or daN)
- Quick, easy one-handed operation
- Continuous or single-point data storage
- Onboard data statistics
- Analog or serial output (optional)
- Data averaging function evens out readings in fast-moving applications
- Easy-to-read, digital display
- Color-bar graphic provides quick visual of tension
- Lightweight, portable
- Long-lasting, durable construction
- Includes carrying case and NIST-traceable calibration certificate

Equipped with rollers for measuring moving materials.

For aircraft cables and other stationary cables use an ACX-1.

Specifications

- Warranty: one year against factory defects
- Accuracy: +/- 2% full-scale. Accuracy may differ depending on material measured.
- Battery: NiMH (NOT lithium ion). Rechargeable. Up to 8 hours continuous use per charge.

To Order: Email: Sales@Tensitron.com or Call: 303.702.1980
Tensitron · 733 South Bowen St. · Longmont, CO 80501 · www.Tensitron.com

Revised 26Feb2019

Models

Style	Model	Range	Accuracy <small>Material -dependent</small>	Resolution	Calibration
Low-Range (5.5" wide)	LX-25-1	0.5-25 lb.	+/-0.5	0.1	LX-1 meters are custom-calibrated for each material to be measured. Up to 10 calibrations are available. A 10-foot sample of each material will be needed for the calibration.
	LX-50-1	1 - 50 lb.	+/- 1 lb.	0.2 lb.	
	LX-100-1	1 - 100 lb.	+/- 2 lb.	0.2 lb.	
Standard (5.5" wide)	LX-250-1	1 - 250 lb.	+/- 5 lb.	0.2 lb.	
	LX-500-1	1 - 500 lb.	+/- 10 lb.	1 lb.	
Wide (8.5" wide) <i>Recommended for large or stiff</i>	LX-100-W-1	1 - 100 lb.	+/- 2 lb.	0.2 lb.	
	LX-250-W-1	1 - 250 lb.	+/- 5 lb.	0.2 lb.	
	LX-500-W-1	1 - 500 lb.	+/- 10 lb.	1 lb.	

Recommended Maximum Diameters for Example Materials

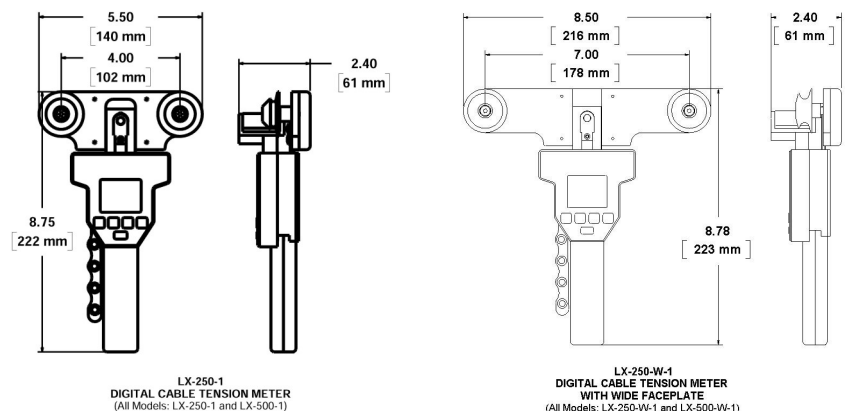
Style	Model	Solid Copper Wire	Solid Steel Wire	Stranded Steel Cable	Tape, carbon fiber, fiberglass roving, fiber	
Low-Range (5.5" wide)	LX-25-1 LX-50-1 LX-100-1	12 AWG (2mm)	.04 in. (1mm)	7x19: 5/32" (4 mm) 7x7: 1/8" (3mm)	Select meter according to tension. May require custom rollers (see "Options" below).	
	Standard (5.5" wide)			LX-250-1 LX-500-1		7x19: 5/32" (4 mm) 7x7: 1/8" (3 mm)
				Wide (8.5" wide)		LX-100-W-1 LX-250-W-1 LX-500-W-1

Options

Data Output:

- Analog Output (Option A) OR
- RS-232 Serial Output (Option E)

Rollers: Standard rollers are radiused (curved and measure round materials up to 5/16" (8mm) diameter. For flat materials, order 1" cylindrical rollers (Option R).



TO ORDER: Email: Sales@Tensitron.com or Call: 303.702.1980

Tensitron · 733 South Bowen St. · Longmont, CO 80501 · www.Tensitron.com

Revised 26Feb2019