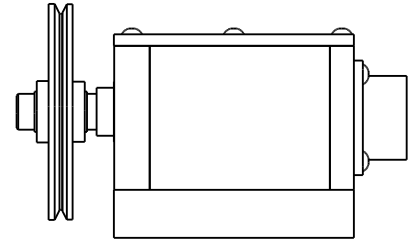
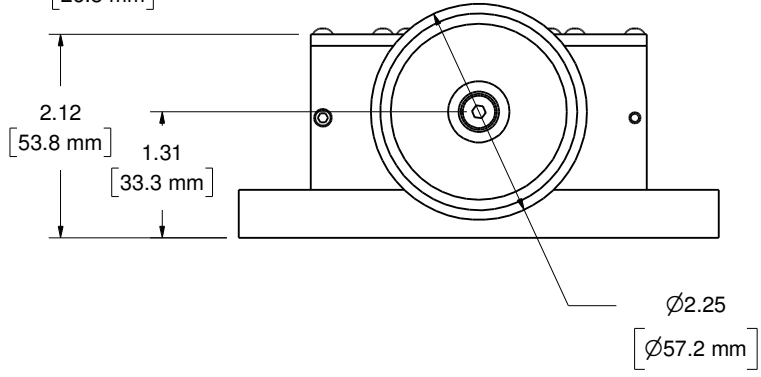
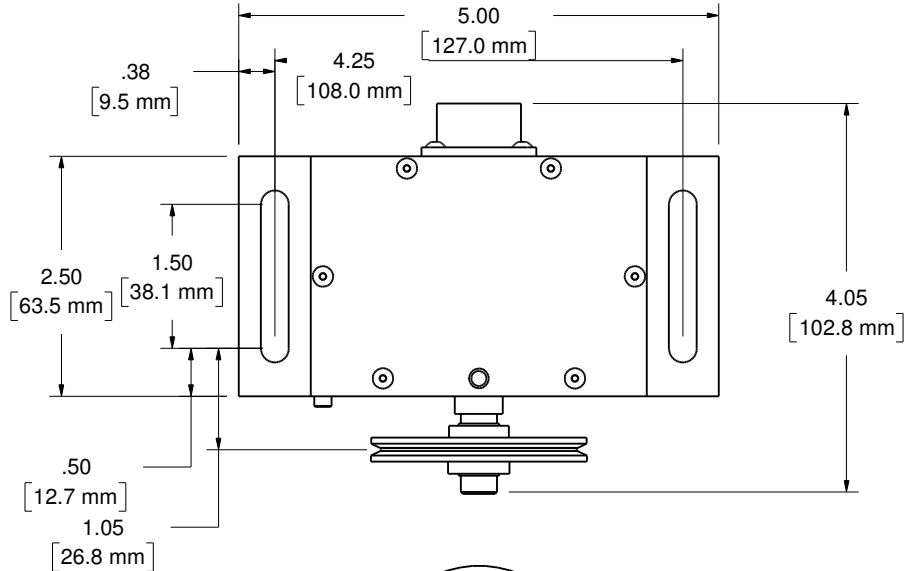
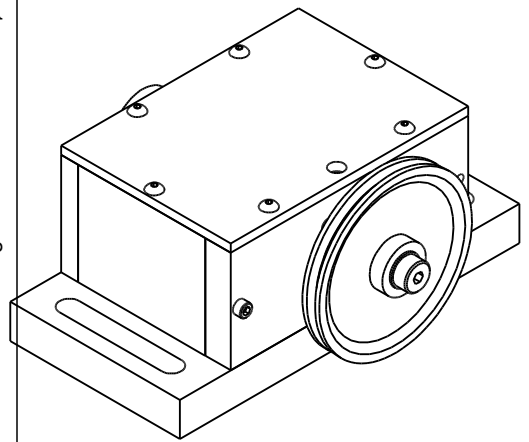


A B C D E F G

Revision History				
Zone	Rev.	Description	Date	Approval
N/A	1	MODELED AND REDRAWN	9-16-14	M. BROCKMAN




**Typical Transducer Specifications**

- \*Tension Range: Supplied to Customer's requirements.
- \*Contact Elements: To fit application.
- \*Operating Temperature: 70 ± 25° F. (Special ranges available)
- \*Connecting Terminals: 5 pin Amphenol plug or terminated ends.
- \*Excitation Voltage: 4-10 VDC.
- \*Bridge Resistance: 350 ohms nominal.
- \*Output Signal: 1.0 - 2.0 mv/V nominal.
- \*Resistance to Ground: Exceeding 500 Megaohms.
- \*Zero Balance: Less than 1.5% FS
- \*Drift at Midpoint: 0.2%
- \*Noise Level: Less than 0.2%
- \*Linearity: 0.5%
- \*Combined Linearity & Hysteresis: ± .75%
- \*Total Error: 1% FS
- \*Overload Tension: 50% Overated
- \*Shielded Cable: 10' standard length.

NOTE 1. MAXIMUM TENSION RANGE OF 150 LBS (75 KG) OVER SEVERAL RANGES.

NOTE 2. PULLEY DIAMETER, MATERIAL AND SHAPE OF GROOVE/RADIUS TBD BY APPLICATION.

Material		Finish		Heat Treat		
DIMENSIONAL TOLERANCES UNLESS OTHERWISE SPECIFIED		TITLE		Weight		
.XXXX	.XXX	.XX	ANGLE	 733 South Bowen Street Longmont, CO 80501		
± .0005	± .005	± .01	± 1°			
Scale	No. Req'd	1	Drawn M. BROCKMAN	Date	9-16-14	Size
Next Assy			Checked	Date		Drawing Number
			Approved	Date		REV
						E-090-00
						1

A B C D E F G