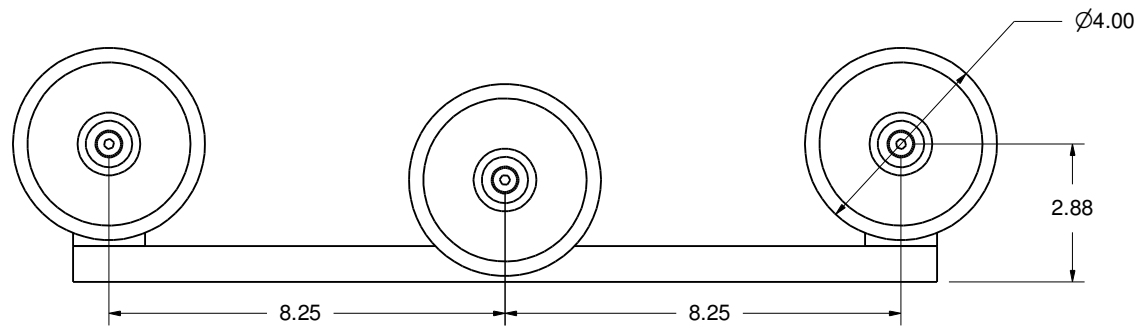
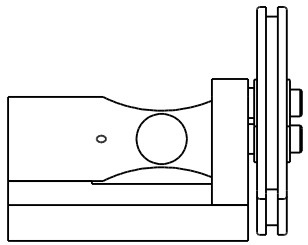
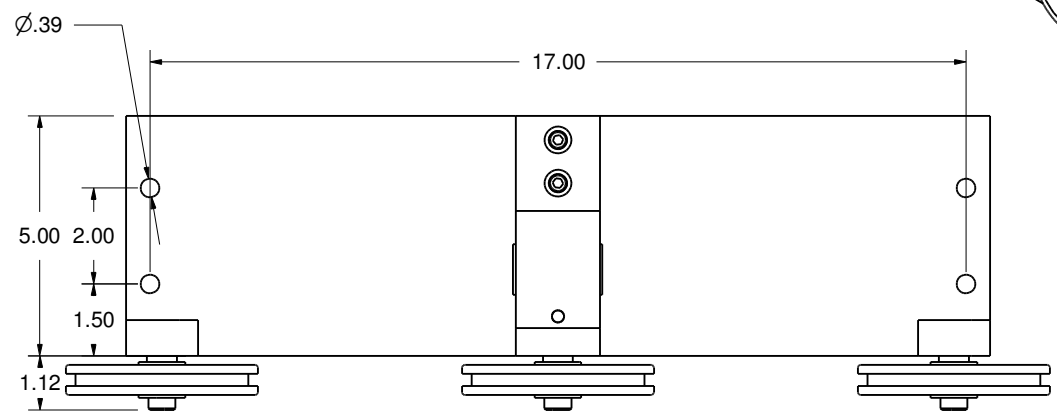
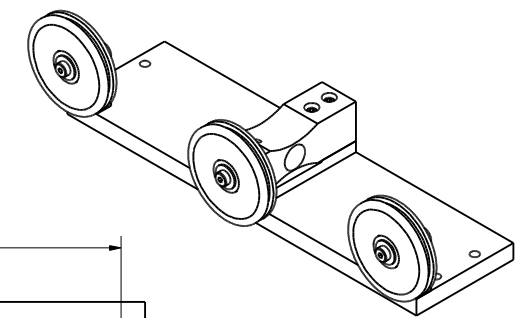


Typical Transducer Specifications

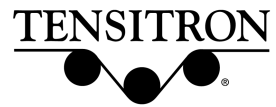
- *Tension Range: Supplied to Customer's requirements.
- *Contact Elements: To fit application.
- *Operating Temperature: 70 ± 25° F. (Special ranges available)
- *Connecting Terminals: 5 pin Amphenol plug or terminated ends.
- *Excitation Voltage: 4-10 VDC.
- *Bridge Resistance: 350 ohms nominal.
- *Output Signal: 1.0 - 2.0 mv/V nominal.
- *Resistance to Ground: Exceeding 500 Megaohms.
- *Zero Balance: Less than 1.5% FS
- *Drift at Midpoint: 0.2%
- *Noise Level: Less than 0.2%
- *Linearity: 0.5%
- *Combined Linearity & Hysteresis: ± .75%
- *Total Error: 1% FS
- *Overload Tension: 50% Overated
- *Shielded Cable: 10' standard length.

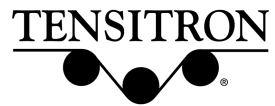
Revision History				
Zone	Rev.	Description	Date	Approval



Application Note:

Dimensions of mounting platform, roller size and configuration, and material wrap angle through rollers can be adjusted to meet specific application requirements.

Material ALUMINUM		Finish CLEAR ANODIZE		Heat Treat	
DIMENSIONAL TOLERANCES UNLESS OTHERWISE SPECIFIED		TITLE		Weight	
.XXXX	.XXX	.XX	ANGLE	 733 South Bowen Street Longmont, CO 80501	
± .0005	± .005	± .01	± 1°		
Scale	1:4	No. Req'd	Drawn SHS	Date 6-23-07	Size
Next Assy			Checked	Date	Drawing Number
			Approved	Date	REV
				E-095-03	



733 South Bowen Street
Longmont, CO 80501

Size	Drawing Number	REV
	E-095-03	