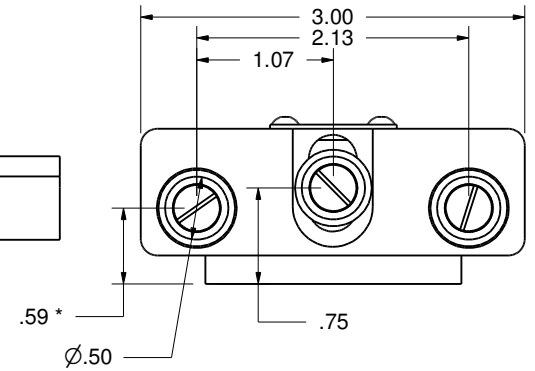
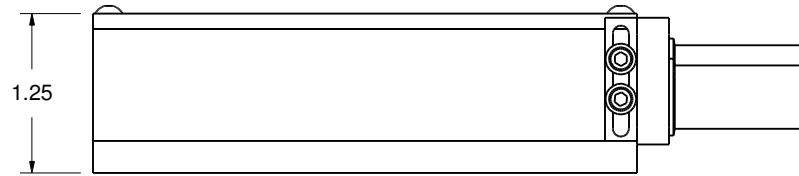
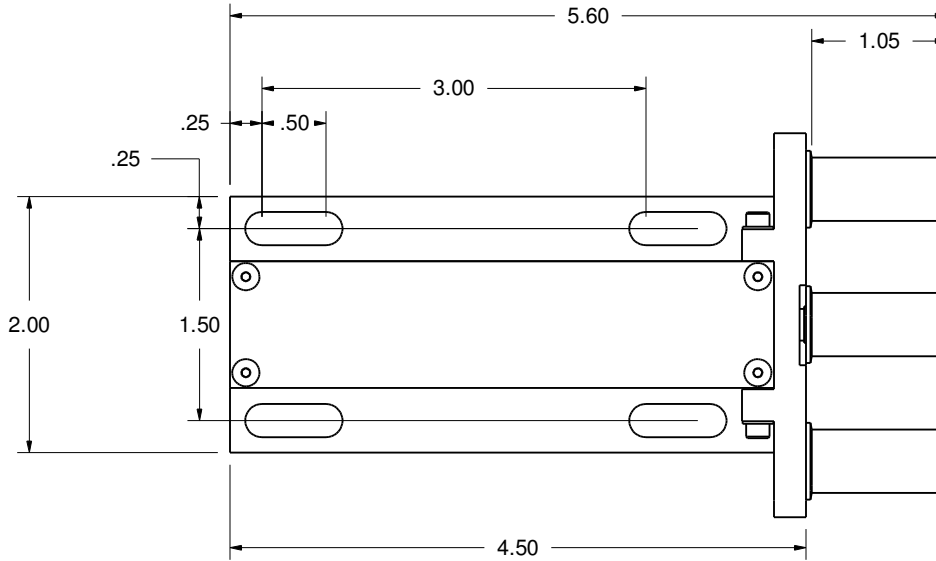
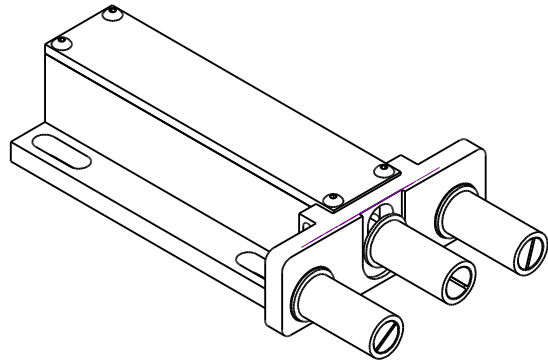


Typical Transducer Specifications


- *Tension Range: Supplied to Customer's requirements.
- *Contact Elements: To fit application.
- *Operating Temperature: 70 ± 25° F. (Special ranges available)
- *Connecting Terminals: 5 pin Amphenol plug or terminated ends.
- *Excitation Voltage: 4-10 VDC.
- *Bridge Resistance: 350 ohms nominal.
- *Output Signal: 1.0 - 2.0 mv/V nominal.
- *Resistance to Ground: Exceeding 500 Megaohms.
- *Zero Balance: Less than 1.5% FS
- *Drift at Midpoint: 0.2%
- *Noise Level: Less than 0.2%
- *Linearity: 0.5%
- *Combined Linearity & Hysteresis: ± .75%
- *Total Error: 1% FS
- *Overload Tension: 50% Overated
- *Shielded Cable: 10' standard length.



Revision History	
Zone	Rev. Description Date Approval

* NOTE 1.
ADJUSTMENT TO RAISE OR LOWER
OUTSIDE ROLLER POSITION ALLOWING
USER TO INCREASE OR DECREASE
MATERIAL WRAP ANGLE.

NOTE 2.
STANDARD, MAXIMUM TENSION RANGES
OF 1,000 AND 5,000 GRAMS. CUSTOM
RANGES AND ROLLER CONFIGURATIONS
AVAILABLE.

Material	ALUMINUM	Finish	CLEAR ANODIZE	Heat Treat	
DIMENSIONAL TOLERANCES UNLESS OTHERWISE SPECIFIED				Weight	
.XXXX	.XXX	.XX	ANGLE	 733 South Bowen Street Longmont, CO 80501	
± .0005	± .005	± .01	± 1°		
Scale	1:1.5	No. Req'd	Drawn SHS	Date 6-22-07	Size
Next Assy			Checked	Date	Drawing Number
			Approved	Date	REV
				E-415-003	
				2	